

Test adaptors

TEST ADAPTORS, TYPE B

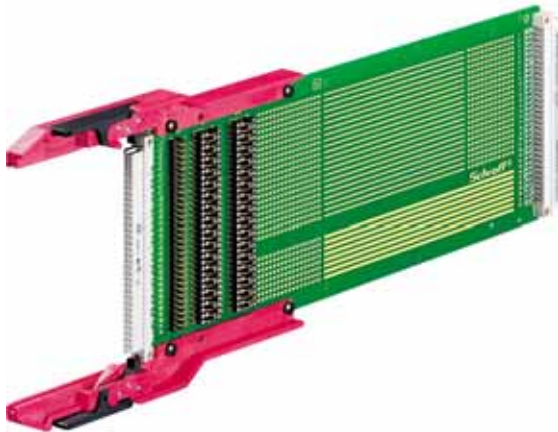
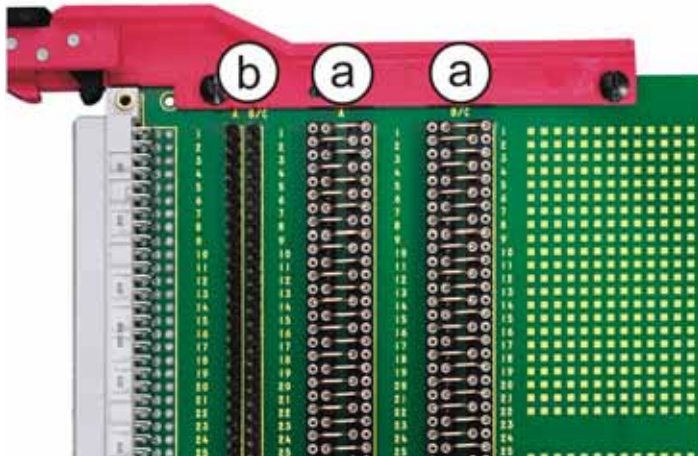


Photo shows 23021-607

11100018



a: Measuring field for current and voltage measurement
b: Header for wire wrap

11100019

- For DIN 41612 connectors, type B
- Measuring field for current and voltage measurement (U/I), (a)
- Header with pin diameter 0.6 mm for wire wrap (b)
- Outer pin rows (pin 1a, c and pin 32a, c) with wider tracks for power supply (2 A per track)

DELIVERY COMPRISES

Item	Qty	Description
1	1	Test adaptor with fitted guide rails and equipped test bridges
2	10	Replacement test bridges

ORDER INFORMATION

Connector type	Height U	For board depth mm	Backplane type	Measuring field for	Part no.
B64	3	160	1L	U / I	23021-607
B64	3	220	1L	U / I	23021-651

NOTE

- Detailed dimensions and test adaptor types see page 10.29
- 6/9 U test adaptors see page 10.27

Test adaptors

TEST ADAPTORS, TYPE C

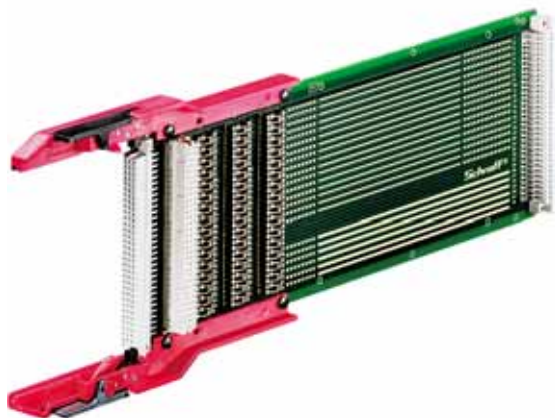
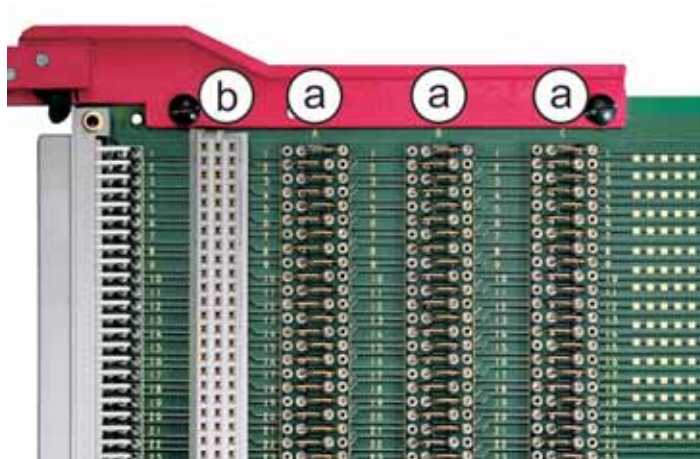


Photo shows 23021-609

11100003



11100004

a: Measuring field for current and voltage measurement
b: Connector position for a second test object

- For DIN 41612 connectors, type C
- 2 different measuring fields:
 - current and voltage measurement (U/I): pluggable test bridges
 - voltage measurement (U): soldered test bridges
- Connector type C64: Header with pin diameter 0.6 mm for wire wrap
- Connector type C96: Slot for second test unit or terminator board (b)
- Outer pin rows (C96: pin 1a, b, c and pin 32a, b, c; C64: pin 1a, c and pin 32a, c) with wider tracks for power supply (2 A per track)

DELIVERY COMPRISES

Item	Qty	Description
1	1	Test adaptor with fitted guide rails and equipped test bridges
2	10	Replacement test bridges

ORDER INFORMATION

Connector type	Height U	For board depth mm	Backplane type	Measuring field for	Part no.
C 64	3	160	1L	U / I	23021-608
C 64	3	220	2L	U / I	23021-652
C 64	6	160	1L	U / I	23022-601
C 96	3	160	2L	U	23021-603
C 96	3	160	2L	U / I	23021-609
C 96	3	160	4L	U / I	23021-610
C 96	3	220	2L	U / I	23021-653
C 96	3	220	4L	U / I	23021-654
C 96	3	280	2L	U / I	23021-700
C 96	3	280	4L	U / I	23021-701
C 96	3	340	4L	U / I	23021-750
C 96	6	160	2L	U / I	23022-602
C 96	6	160	4L	U / I	23022-603
C 96	6	220	2L	U / I	23022-652
C 96	6	280	2L	U / I	23022-700

NOTE

- Detailed dimensions and test adaptor types see page 10.29
- 6/9 U test adaptors see page 10.27

Test adaptors

TEST ADAPTORS, TYPE D

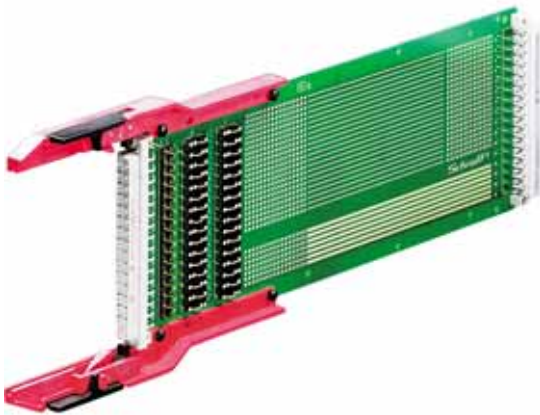


Photo shows 23021-611

11100005

- For DIN 41612 connectors, type D
- 2 different measuring fields:
 - current and voltage measurement (U/I): pluggable test bridges
 - voltage measurement (U): soldered test bridges
- Header with pin diameter 0.6 mm for wire wrap (b)
- Outer pin rows (pin 1a, c and pin 16a, c) with wider tracks for power supply (2 A per track)

DELIVERY COMPRISES

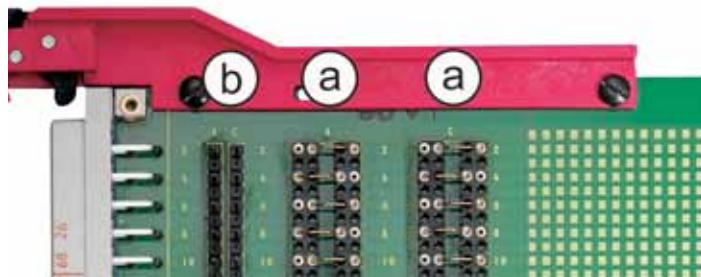
Item	Qty	Description
1	1	Test adaptor with fitted guide rails and equipped test bridges
2	10	Replacement test bridges

ORDER INFORMATION

Connector type	Height U	For board depth mm	Backplane type	Measuring field for	Part no.
D32	3	160	1L	U / I	23021-611
D32	3	160	1L	U	23021-604
D32	3	220	1L	U / I	23021-655

NOTE

- Test adaptor type D cannot be used in combination with the adaptor of other types
- Detailed dimensions and test adaptor types see page 10.29



a: Measuring field for current and voltage measurement b: Header for wire wrap

11100006

TEST ADAPTORS, TYPE E

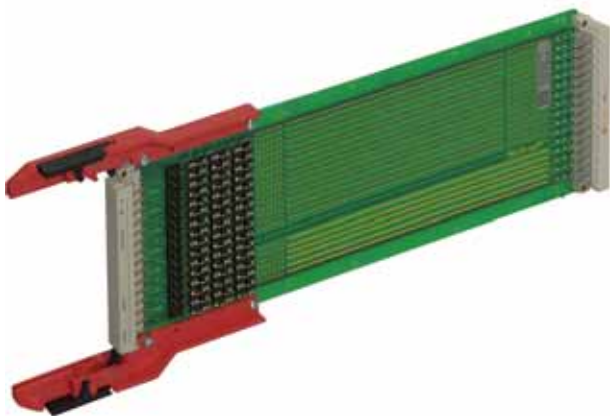


Photo shows 23021-656

11107001

- For DIN 41612 connectors, type E
- Measuring field for current and voltage measurement (U/I), (a)
- Header with pin diameter 0.6 mm for wire wrap (b)
- Outer pin rows (pin 1a, c, e and pin 31a, c, e) with wider tracks for power supply (2 A per track)

DELIVERY COMPRISES

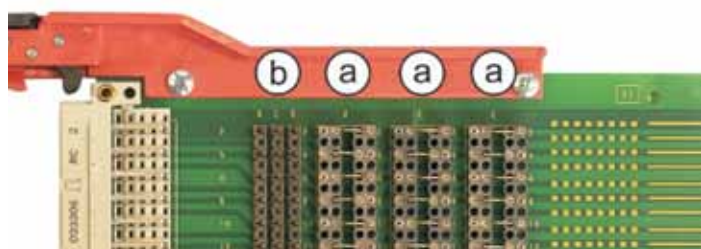
Item	Qty	Description
1	1	Test adaptor with fitted guide rails and equipped test bridges
2	10	Replacement test bridges

ORDER INFORMATION

Connector type	Height U	For board depth mm	Backplane type	Measuring field for	Part no.
E48	3	220	2L	U / I	23021-656

NOTE

- Detailed dimensions and test adaptor types see page 10.29
- 6/9 U test adaptors see page 10.27



a: Measuring field for current and voltage measurement b: Header for wire wrap

11107002

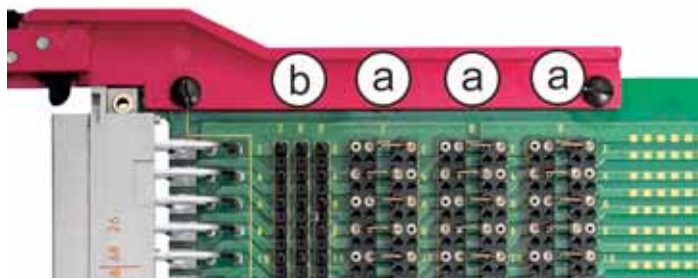
Test adaptors

TEST ADAPTORS, TYPE F



Photo shows 23021-613

11100008


 a: Measuring field for current and voltage measurement
 b: Header for wire wrap

11100009

- For DIN 41612 connectors, type F
- 2 different measuring fields:
 - current and voltage measurement (U/I): pluggable test bridges
 - voltage measurement (V): soldered test bridges
- Header with pin diameter 0.6 mm for wire wrap (b)
- Outer pin rows (pin 1a, c, e and pin 16a, c, e) with wider tracks for power supply (2 A per track)

DELIVERY COMPRISES

Item	Qty	Description
1	1	Test adaptor with fitted guide rails and equipped test bridges
2	10	Replacement bridges

ORDER INFORMATION

Connector type	Height U	For board depth mm	Backplane type	Measuring field for	Part no.
F48	3	160	2L	U	23021-605
F48	3	160	2L	U / I	23021-613
F48	6	160	2L	U / I	23022-604
F48	3	220	2L	U / I	23021-657

NOTE

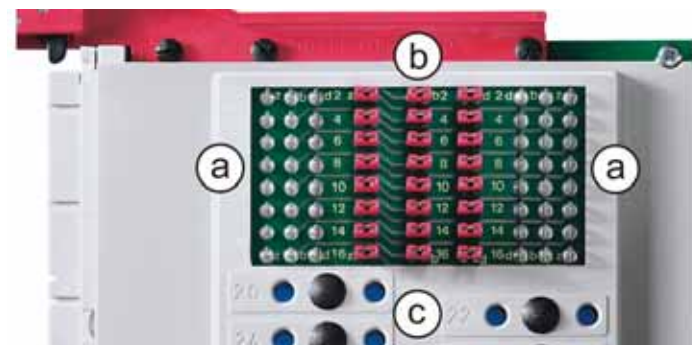
- Detailed dimensions and test adaptor types see page 10.29
- Further 6/9 U test adaptors see page 10.27

TEST ADAPTORS, TYPE M



Photo shows 23021-616

11100013



Test adaptor M (F24/H7), a: Measurement lugs, b: Measuring pin with jumper, c: Test bridge, diameter 4 mm

11100014

- For DIN 41612 connectors, type M
- 2 versions:
 - M (F/H): with high-current contacts (H)
 - M (C/coax): with coaxial connector contact
- Measuring field versions for current and voltage measurement (U/I):
 - M (F/H):
 - F: measurement lugs (a) and measurement pins (b) with jumpers
 - H: test bridges (c) (diameter 4 mm)
 - M (C/coax):
 - C: test bridges pluggable, header with pin diameter 0.6 mm for wire wrap

DELIVERY COMPRISES

Item	Qty	Description
1	1	Test adaptor with fitted guide rails and equipped test bridges
2	10	Replacement test bridges

ORDER INFORMATION

Connector type	Height U	For board depth mm	Backplane type	Measuring field for	Part no.
M (F24/H7)	3	160	2L	U / I	23021-616
M (F24/H7)	3	220	2L	U / I	23021-660

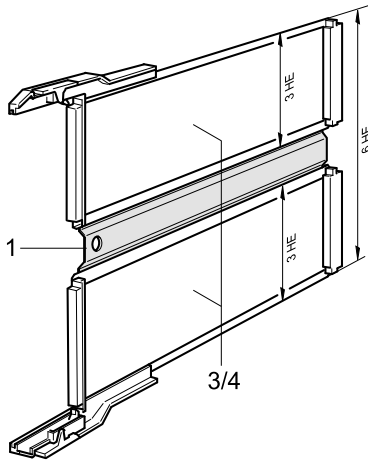
NOTE

- Detailed dimensions and test adaptor types see page 10.29

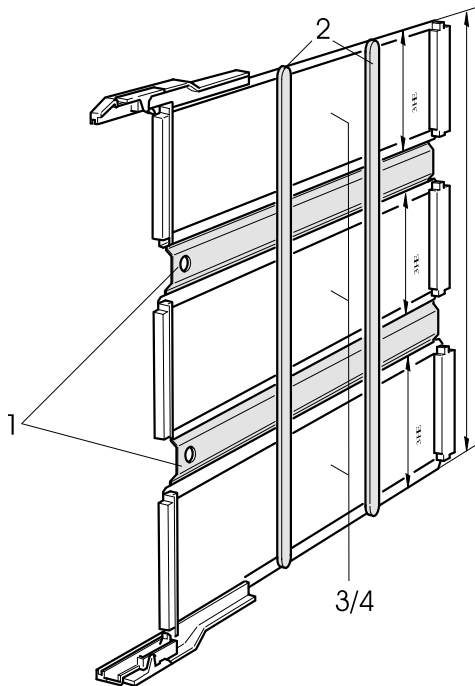
Test adapters

6/9 U TEST ADAPTORS

6 U



9 U



A4-2550

BPTE6567

- Suitable for types B, C, D, E, F
 - 6 U test adaptor can be made from:
 - 2 x equal length 3 U test adaptors (3/4)
 - 1 x intermediate adaptor 6 U (1)
 - or
 - 1 x 3 U test adaptor (3/4)
 - 1 x bare board (item 2 without connector)
 - 1 x intermediate adaptor 6 U (1)
 - 9 U test adaptor can be made from:
 - 3 x equal length 3 U test adaptors (3/4)
 - 2 x intermediate adaptor 9 U (1)
 - or
 - 2 x 3 U test adaptors (3/4)
 - 1 x bare board (item 2 without connector)
 - 2 x intermediate adaptor 9 U (1)
 - or other combinations
- test adaptor item 4, type x
bare board: item 3

DELIVERY COMPRISES (kit)

Item	Qty		Description
	6 U	9 U	
1	1	2	Intermediate adaptor, St, 1.5 mm, grey, incl. assembly kit
2	-	2	Board stiffener

ORDER INFORMATION

Description	For board depth	For test adaptor depth (dimension B)	Part no.
	mm	mm	
6 U	160	290	20800-224
6 U	220	350	20800-168
6 U	280	410	20800-278
6 U	340	470	20800-279
9 U	220	350	23040-001

Accessories

Bare board (item 2) 3 U, 160 mm deep without connector, 1 piece	23040-006
Bare board (item 2) 3 U, 220 mm deep without connector, 1 piece	23040-007

NOTE

- Test adaptor type D cannot be combined with other types
- Test adaptor depth (dimension B) of VMEbus test adaptors see page 10.26
- Test adaptor depth (dimension B) at type B, C, D, E, F, see page 10.29

Test adapters

BOARD GUIDES



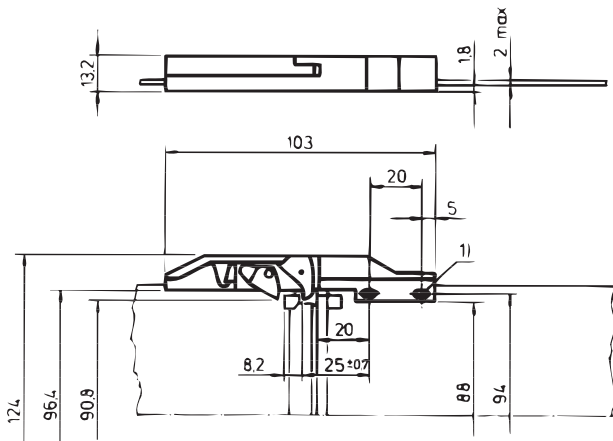
Top: with locking lever, left short, right long;
bottom: without locking lever, left short, right long

11192009

- To hold and lock modules that have to be tested (for replacement purposes only, board guides are included in delivery of all test adaptors)
- Versions
 - Short board guide with/without locking lever
 - Long board guide with/without locking lever

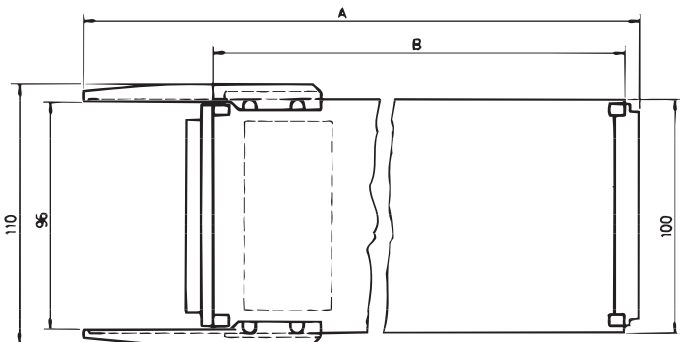
ORDER INFORMATION

Description	Qty/PU	Part no.
Type: short, with locking lever	2	60800-834
Type: long, with locking lever	2	20800-212
Type: long, without locking lever	2	20800-213



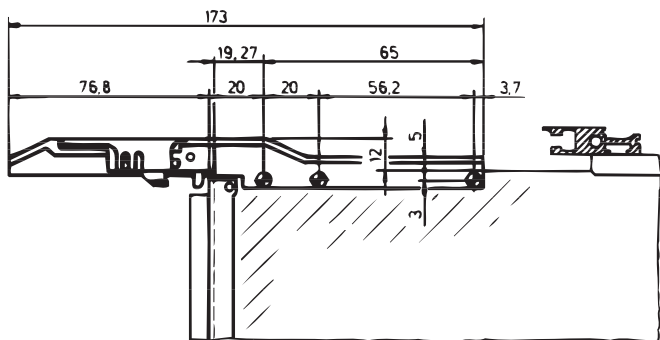
Short board guide

A4-1908



Short board guide without locking lever
A, B, see "Dimensions test adaptors"

A4-2411



Long board guide without locking lever

A4-2551

Test adapters

TYPE/BOARD VERSIONS

Epoxy fibreglass EP-GC02 to DIN 40802 (FR4).

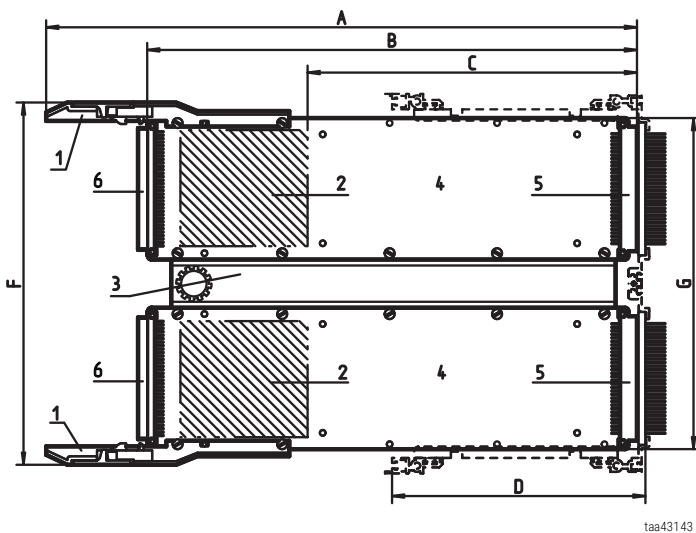
Outlying connections (e.g. pins 1a, b, c and pins 32a, b, c) each have a wider PCB track or large-surface tracks on inner layers – e.g. for shielding, V_{CC} , GND.

Type

1L	PCB single-sided, laminated (suitable for up to 2 MHz)
2L	PCB, double-sided, laminated and through-connected (suitable for up to approx. 8 MHz)
4L	Multi-layer, 4-layer (suitable for above 8 MHz): Multi-layer technology with large-area inner layers (signal-surface-surface-signal). In the coax version the large-area inner layers can be soldered to the desired pins by means of power links.

DIMENSIONS TEST ADAPTORS

- Types B, C, E, F, H and M

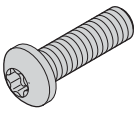
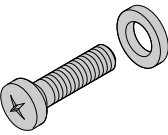


- 1) Board guide
- 2) Measuring field
- 3) Mounting bracket with extraction aid
- 4) Test adaptor
- 5) Male connector
- 6) Female connector

Board height	F	G
	mm	mm
3 U	123.00	100.00
6 U	257.00	233.35

Board depth	A	B	C	D
	mm	mm	mm	mm
160 mm	363	290	190	175.24
220 mm	423	350	250	235.24
280 mm	483	410	310	355.24
340 mm	543	470	370	415.24

PANHEAD SCREWS

	Description	Application	Material	Dimension	Qty/PU	Part no.
 <small>aza45940</small>	Torx panhead screw	For backplane fixing	St, nickel-plated	M2.5 x 12	100	24560-161
		For backplane fixing	St, nickel-plated	M2.5 x 14	100	24560-162
		For backplane fixing	St, nickel-plated	M2.5 x 16	100	24560-163
 <small>06702051</small>	Screw + securing washer	For backplane fixing	St, nickel-plated	M2.5 x 12	100	21100-777